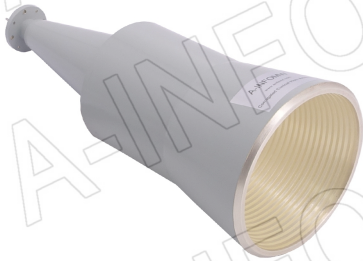


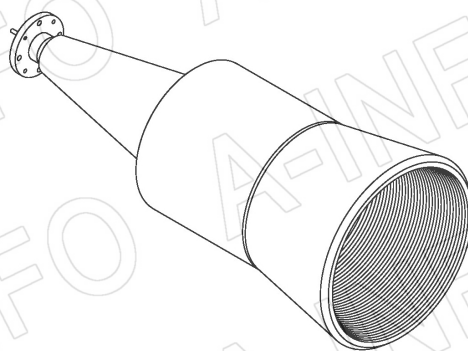
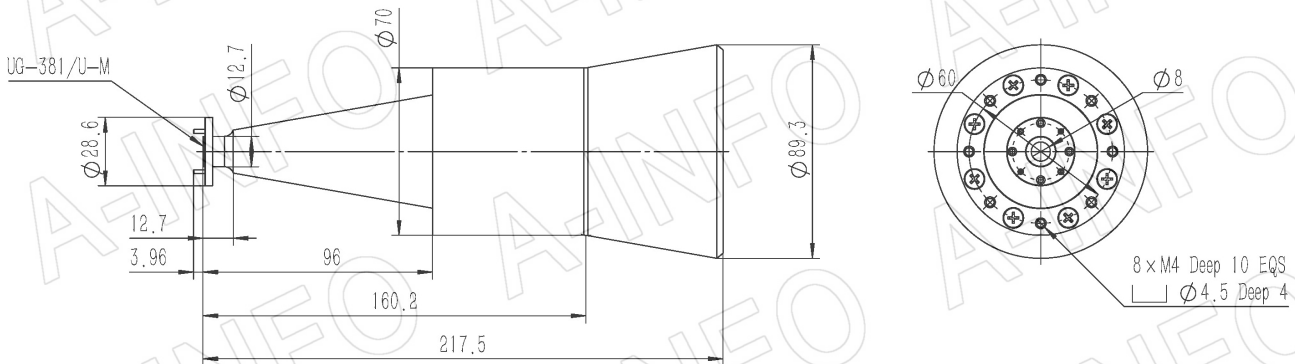
For reference only. See data sheet for the detailed specifications.

Technical Specification

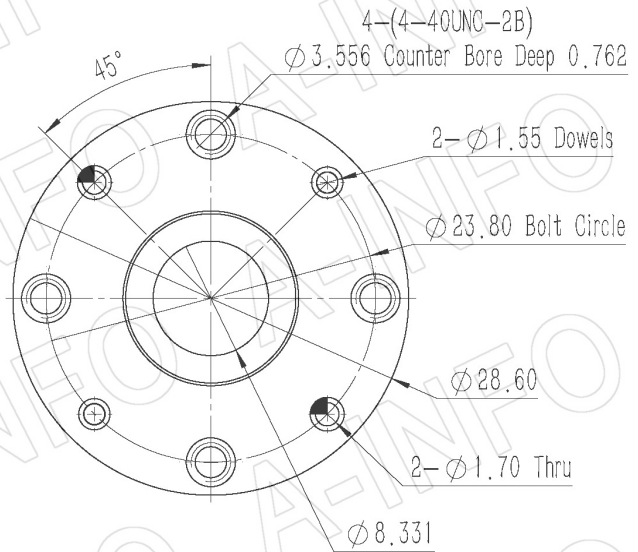
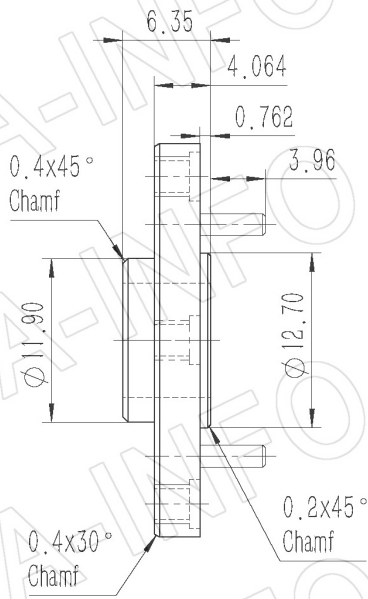


Frequency Range(GHz)	26.0 – 33.0
Circular WG Size	8.0mm / 0.315"
Gain(dBi)	25 Typ.
Polarization	Linear and Circular
3dB Beamwidth(deg)	E Plane: 10 Typ.
	H Plane: 10 Typ.
Cross Pol. Isolation(dB)	40 Typ.
VSWR	1.30:1 Typ.
Output	UG-381/U-M
Material	Al
Finish	Sliver Plated, Gray Paint
Size(mm)	89.3 x 89.3 x 217.5
Net Weight(Kg)	0.54 Around

Outline Drawing (Size: mm)



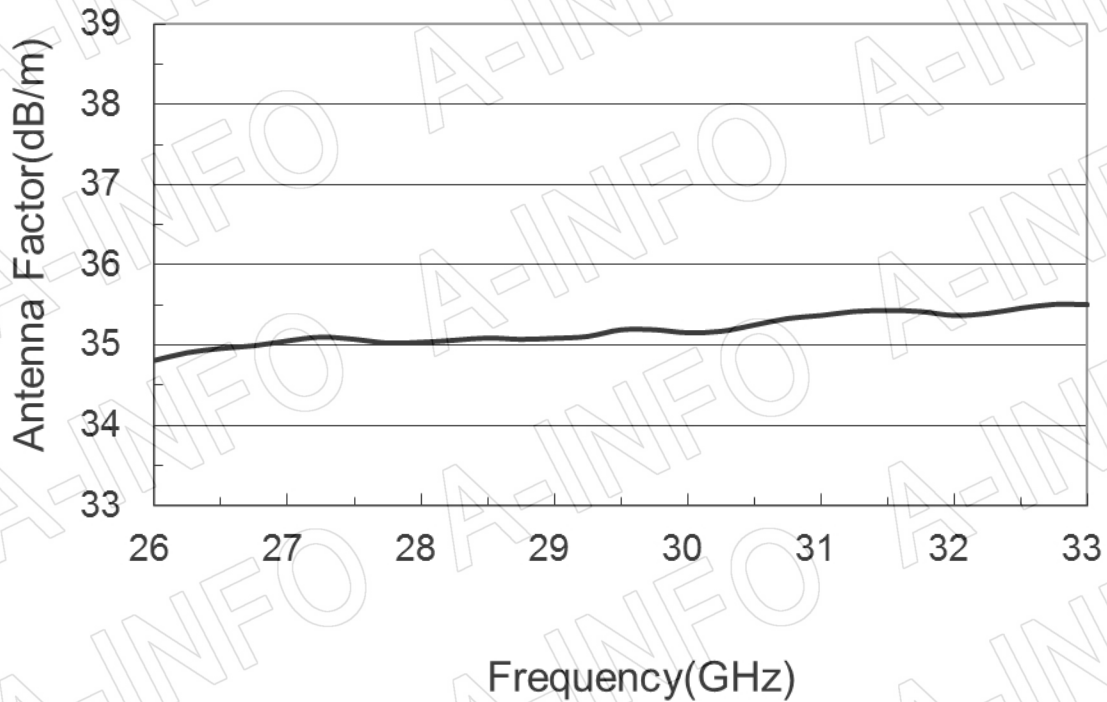
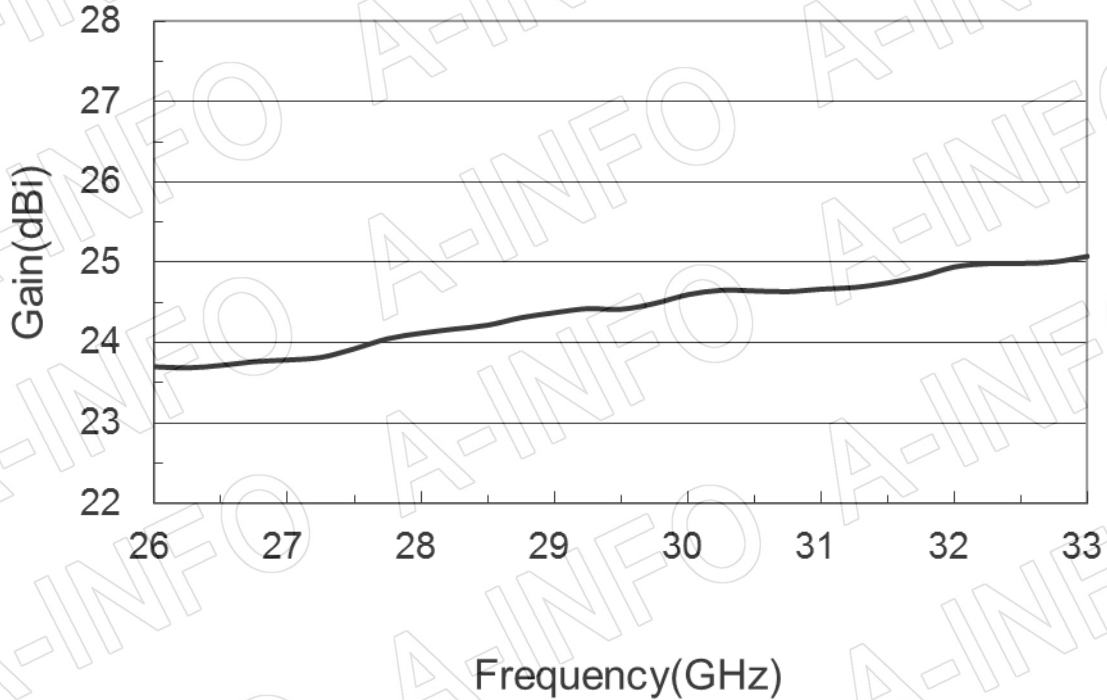
Flange Drawing (Size: mm)



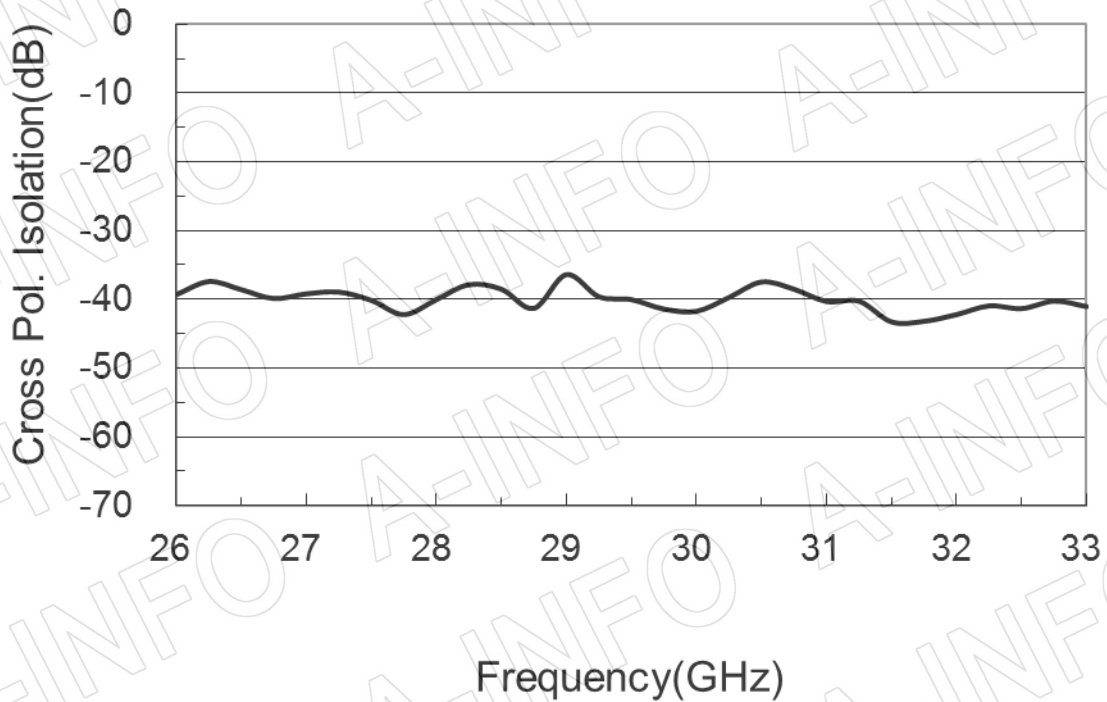
UG-381/U-M

Test Results (Including circular to rectangular transition)

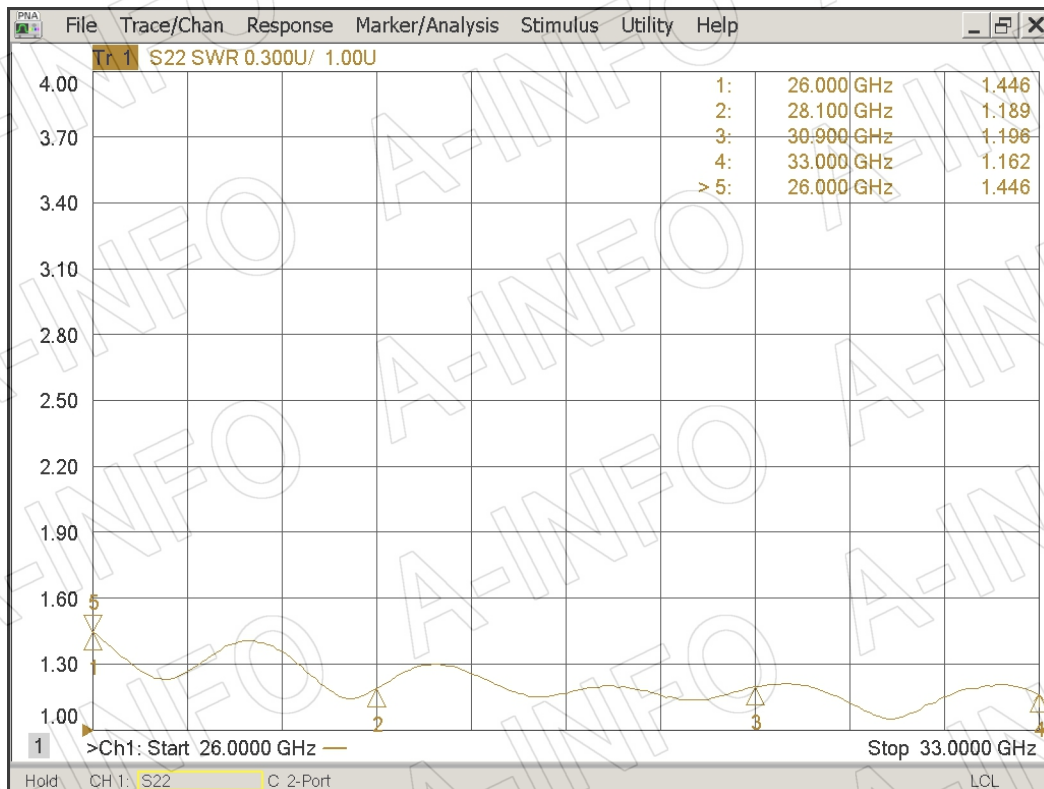
1. Gain & Antenna Factor



2. Cross Polarization Isolation



3. VSWR



4. Pattern

